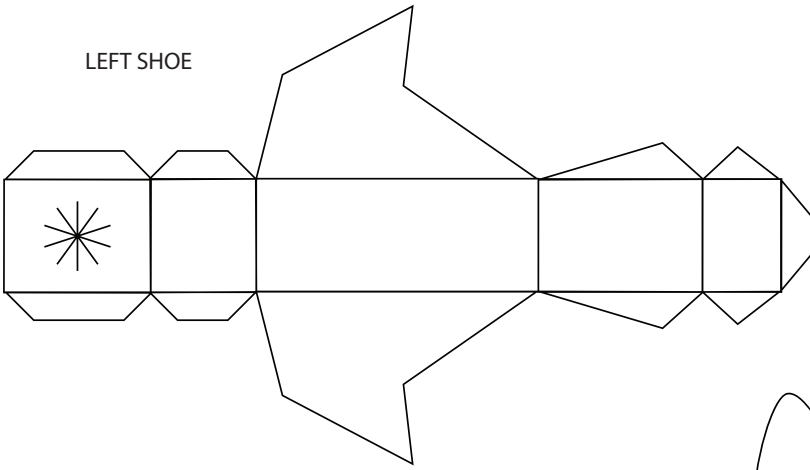


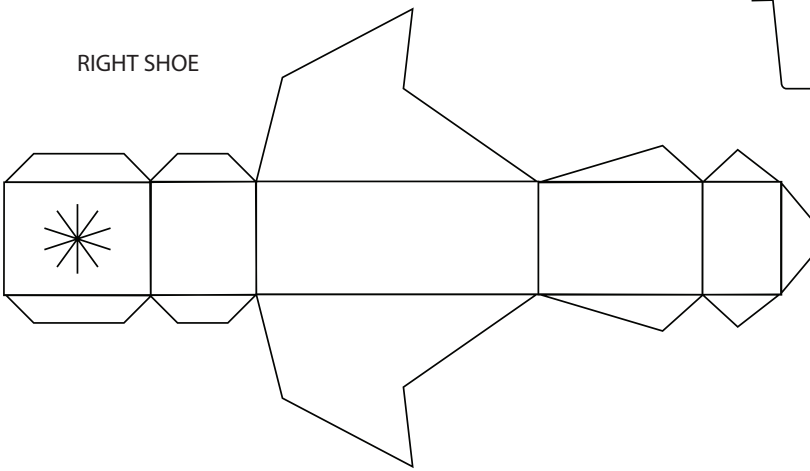
ROLLED LEGS

SHORTS

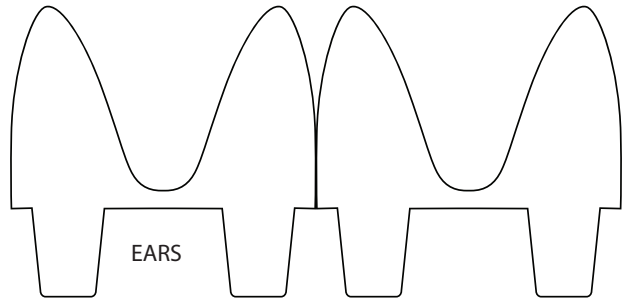
LEFT SHOE



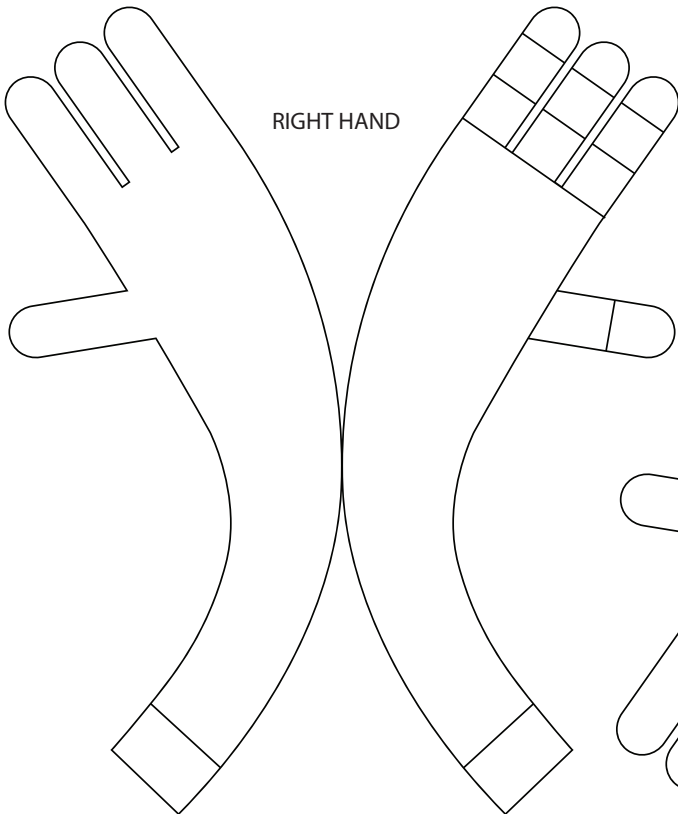
RIGHT SHOE



EARS



RIGHT HAND



LEFT HAND

